



Particle free
working conditions

CLEANWIZARD H





Product Safety Horizontal flow Cabinet

- Types:**
- **CleanWizard H130**
 - **CleanWizard H200**
 - **Different sizes on request**

Kojair

Kojair is specialized in development, manufacturing and marketing of microbiological safety cabinets and other clean-air devices. We are continuously investing in powerful product development in order to introduce more advanced clean-air applications that make your work easier and protect you from the effects of harmful substances.

Kojair's main office and production facilities are located in Vilppula, approximately 80 km (50 mi.) from Tampere in Central Finland. The sales office in Tampere is located in Finn-Medi Technology Centre, which is a combination of medical expertise.

General

Safe, reliable and economic safety cabinet for protection of the work item including ergonomic practical properties needed in normal work.

Materials and finishing

All materials and surfaces are smooth and resistant to cleaning and disinfection agents.

Lighting

Glare-free and shadow-free fluorescent lighting providing illumination on work surface 1600 lux



Use

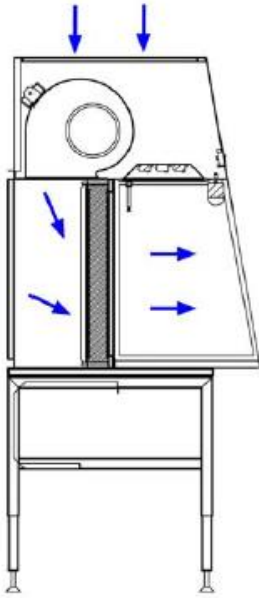
As examples of the uses of the cabinet can be mentioned biotechnological research and production, handling of non-hazardous medical substances in hospitals and pharmacies as well as the electronic production and maintenance in which particle free air is a necessity.

Standard equipment

- Flow control with digital display
- Alarms for false flow speed
- ½ speed via switch
- UV outlet via switch
- Base stand 700, 800 or 900 mm

50 years of craftsmanship | Professional support | Reduce your ecological footprint

Most silent cabinet in the world with the safest working conditions



The cabinet works on the following principle

The air is drawn in by a fan through a pre-filter on top of the unit and blown into a pressure chamber. From the pressure chamber the air moves into the work area through a HEPA filter (see picture) toward the operator.

Filters

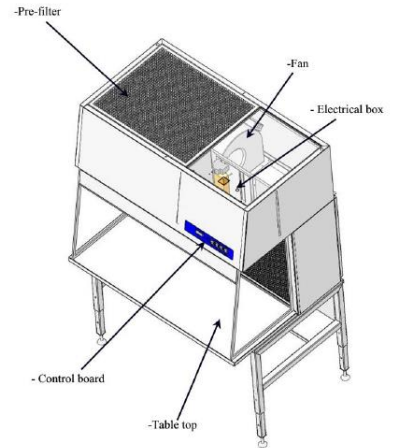
HEPA H 14 99,995 % MPPS
acc. to EN 1822

Air speed

Air flow 0,4 m/s ± 20%

Sound level

The sound level with clean filters is +/- 53 dB.

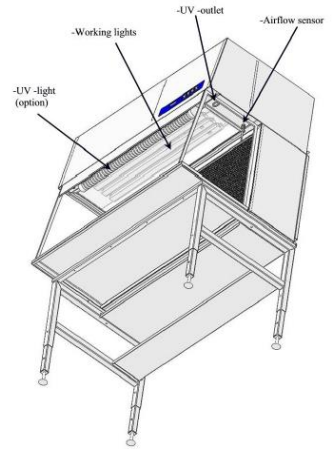


Option:

- UV light 30 W
- Gas tap
- Socket

Technical specification

	H 130	H 200
Total width (mm)	1280	1910
Depth	870	870
Working space (mm)		
Width	1180	1830
Depth	500	500
Height	610	610
Power (max. W)	470	730
Weight (incl. base stand kg)	180	220



- ✓ Flow control with digital display
- ✓ Low energy consumption
- ✓ Adjustable base stand



CleanWizard H SPECIALS

Specials

Sometimes a standard cabinet doesn't meet the needs of your application. Maybe you are looking for a horizontal flow cabinet with a different width or height than the standard supplied. We classify these special requests into two groups:

- Customised
- Tailor-made

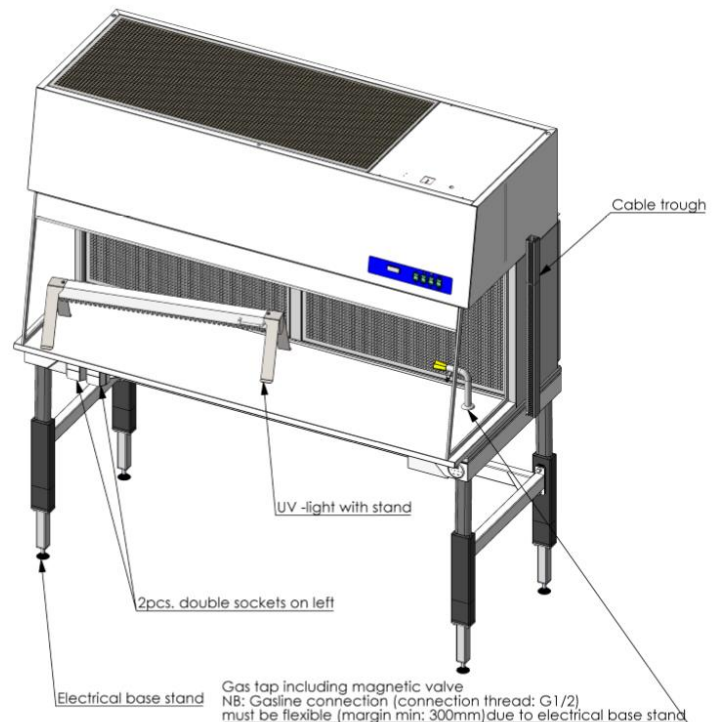
Customised

A standard Kojair Tech Oy horizontal flow cabinet forms the basis for the request and will be customised according your requirements.

Tailor-made

If your request is so specific that a customised horizontal flow cabinet is no longer sufficient, we will design, test and build a unique unit according to your specifications. In both cases, Kojair Tech Oy is the partner for you! Not only are we very keen to share our 50 years of experience and craftsmanship with you; we also have special design software that allows us to provide a visual image of the customised or tailor-made horizontal flow cabinet.

Our 3500-square-metre European factory contains a special facility for engineering and designing customised and tailor-made horizontal flow cabinets. When the drawings have been approved and the customised or tailor-made horizontal flow cabinet is built, we test it in our own cleanroom. Relevant certificates will be provided.



*The specifications are composed with great care, however from this may not be extracted rights

Leading expertise in clean air technology